

PLEASE CHECK WWW.MOLEX.COM FOR LATEST PART INFORMATION

Part Number: [0563773001](#)
Status: **Active**
Description: CRC™ Shielded Rectangular I/O Receptacle Shell, Panel Mount, Signal, 30 Circuits, Rear Mount Type

Documents:

[Drawing \(PDF\)](#) [Product Specification PS-51238-018 \(PDF\)](#)
[Product Specification PS-51238-010 \(PDF\)](#) [RoHS Certificate of Compliance \(PDF\)](#)

General

Product Family	I/O Connectors
Series	56377
Application	Panel-Mount, Wire-to-Wire
Component Type	Panel Mount Shell
Product Name	CRC™
Type	N/A

Physical

Boot Color	N/A
Circuits (Loaded)	N/A
Circuits (maximum)	30
Durability (mating cycles max)	100
Gender	Receptacle
Keying to Mating Part	Yes
Lock to Mating Part	Yes
Material - Plating Mating	n/a
Orientation	Vertical
Packaging Type	Tray
Panel Mount	Rear
Pitch - Mating Interface (in)	0.000 In
Pitch - Mating Interface (mm)	0.00 mm
Polarized to Mating Part	Yes
Polarized to PCB	N/A
Surface Mount Compatible (SMC)	N/A
Temperature Range - Operating	-40°C to +105°C
Termination Interface: Style	N/A
Waterproof / Dustproof	No

Electrical

Current - Maximum per Contact	3A
Shield Type	Full Shield
Shielded	Yes
Voltage - Maximum	250V AC (RMS)/DC

Material Info

Reference - Drawing Numbers

Product Specification	PS-51238-010, PS-51238-018, RPS-51238-001
Sales Drawing	SD-56377-009



image - Reference only

EU RoHS
ELV and RoHS
Compliant
REACH SVHC
 Not Reviewed
Halogen-Free
Status
 Not Reviewed

China RoHS



Need more information on product environmental compliance?

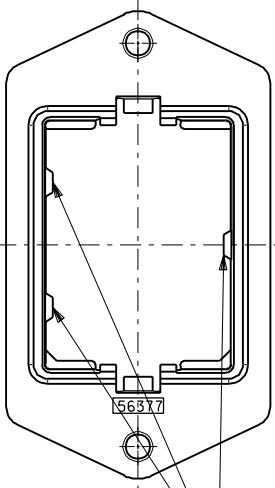
Email productcompliance@molex.com
 For a multiple part number RoHS Certificate of Compliance, [click here](#)

Please visit the [Contact Us](#) section for any non-product compliance questions.

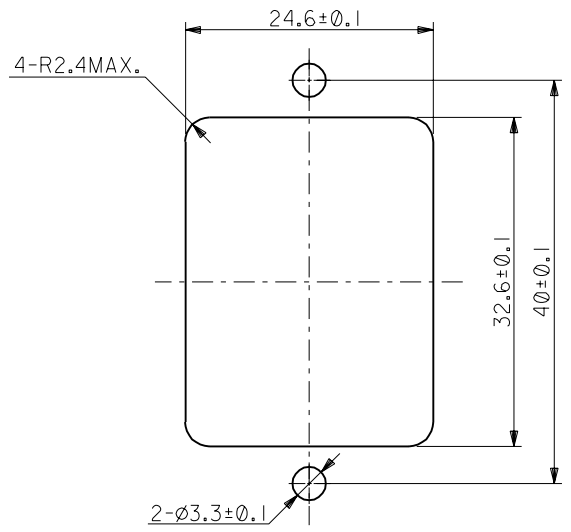
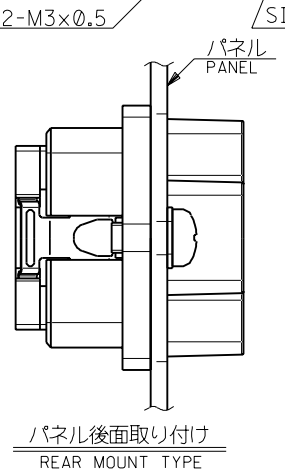
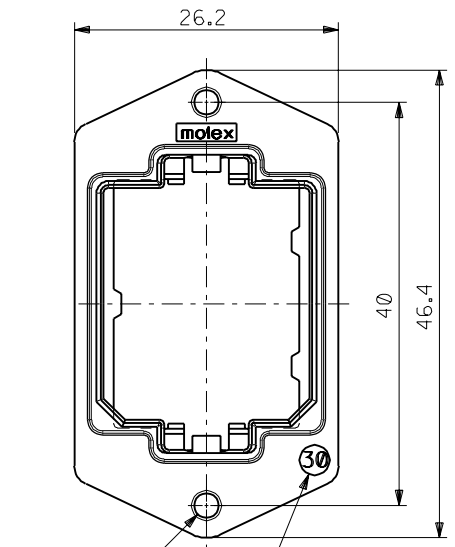
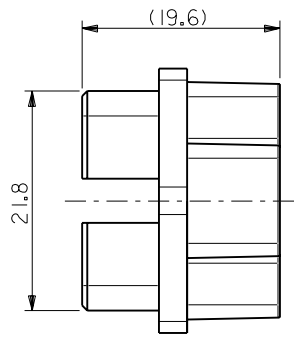
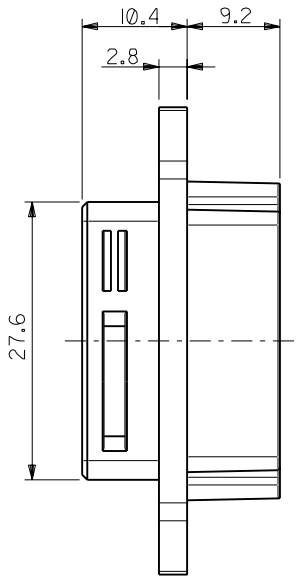
Search Parts in this Series
[56377Series](#)

Use With
[51233-301*](#)|[51238-301*](#)

DWG. NO. SD-56377-009



ハウジング挿入方向キー
POLARIZATIONS KEY FOR HOUSING



推奨パネル切り取り寸法 (後面取り付け)
RECOMMENDED PANEL OPENING (REAR MOUNTING)

注記
NOTES

- 材質
MATERIAL
亜鉛合金、ニッケルメッキ
ZINC ALLOY, NI PLATING
- 適用ハウジングアッセンブリ : 51233-301* (PIN HS'G ASS'Y)
51238-301* (SOCKET HS'G ASS'Y)
APPLICABLE HOUSING ASS'Y : 51233-301* (PIN HS'G ASS'Y)
51238-301* (SOCKET HS'G ASS'Y)
- 推奨ねじ締め付けトルク : 5~6 kgf・cm
RECOMMENDED SCREW TIGHTENING TORQUE : 5~6 kgf・cm

56377-3001	56377-****
------------	------------

MATERIAL.NO	MODEL.NO
-------------	----------

DIMENSIONS:		SHT	REV
<input type="checkbox"/> mm	<input type="checkbox"/> INCH	<input checked="" type="checkbox"/> mm ONLY	REVISE ON CAD ONLY

TITLE: COMPACT ROBOT CONN. (CRC) RECEPTACLE SHELL

MOLEX INCORPORATED

MATERIAL NO.	DRAWING NO.	SHEET NO.
SEE CHART	SD-56377-009	1 OF 1

THIS DRAWING CONTAINS INFORMATION THAT IS PROPRIETARY TO MOLEX INCORPORATED AND SHOULD NOT BE USED WITHOUT WRITTEN PERMISSION. SIZE B

DO NOT SCALE DRAWING

EC NO.	REVISED 01/10/17	MATERIAL	注記参照 SEE NOTES
DRWN: CH'K: APPR:	EC NO. J2002-0932 DRWN: S.AKIYAMA CH'K: J.MIYAZAWA APPR: Y.O.IITO	材料	
EC NO.	RELEASED 01/02/09	FINISH	—
DRWN: CH'K: APPR:	EC NO. JD2001-1040 DRWN: S.AKIYAMA CH'K: J.MIYAZAWA APPR: H.IKESUGI	仕上げ	
EC NO.		WIRE RANGE	—
DRWN: CH'K: APPR:		適用線径範囲	
REV		INS. RANGE	—
		被覆外径	

GENERAL TOLERANCES: (UNLESS SPECIFIED) 一般公差		SCALE	DESIGN UNITS	THIRD ANGLE PROJECTION
10 UNDER 未滿	±0.2	2-1	<input checked="" type="checkbox"/> mm <input type="checkbox"/> INCH	<input checked="" type="checkbox"/> THIRD ANGLE <input type="checkbox"/> FIRST ANGLE
10 OVER 以上 30 UNDER 未滿	±0.25			
30 OVER 以上	±0.3			
ANGLE 角度	±3°			

DRAWN BY & DATE	TITLE:
S. Akiyama 01/01/25	COMPACT ROBOT CONN. (CRC) RECEPTACLE SHELL
CHECKED BY & DATE	
J. Miyazawa / Y. Ito	
APPROVED BY & DATE	
(Signature) 01/02/09	
CAD FILE NAME	
56377009.S01	

MATERIAL NO.			DRAWING NO.			SHEET NO.		
SEE CHART			SD-56377-009			1 OF 1		
THIS DRAWING CONTAINS INFORMATION THAT IS PROPRIETARY TO MOLEX INCORPORATED AND SHOULD NOT BE USED WITHOUT WRITTEN PERMISSION. SIZE B								